



Midwest Current Transformer

# Model 6SC

Current Transformer

1-800-893-4047

[www.midwestcurrent.com](http://www.midwestcurrent.com)



**FEATURING:**

- Ridged polycarbonate case
- Slotted mounting holes for easy installation
- Brass terminals

**Optional Features:**

- Additional taps
- Custom designs

**APPLICATION:**

Metering

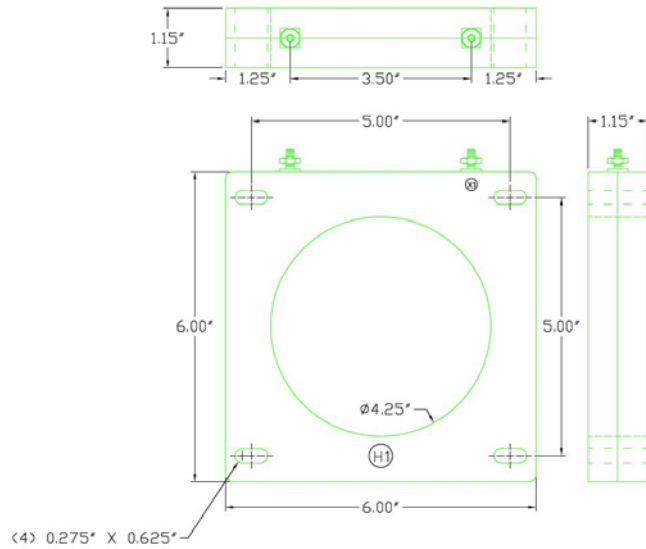
**FREQUENCY:**

50-400 Hz.

**INSULATION LEVEL:**

600 Volts, 10 kV BIL full wave.

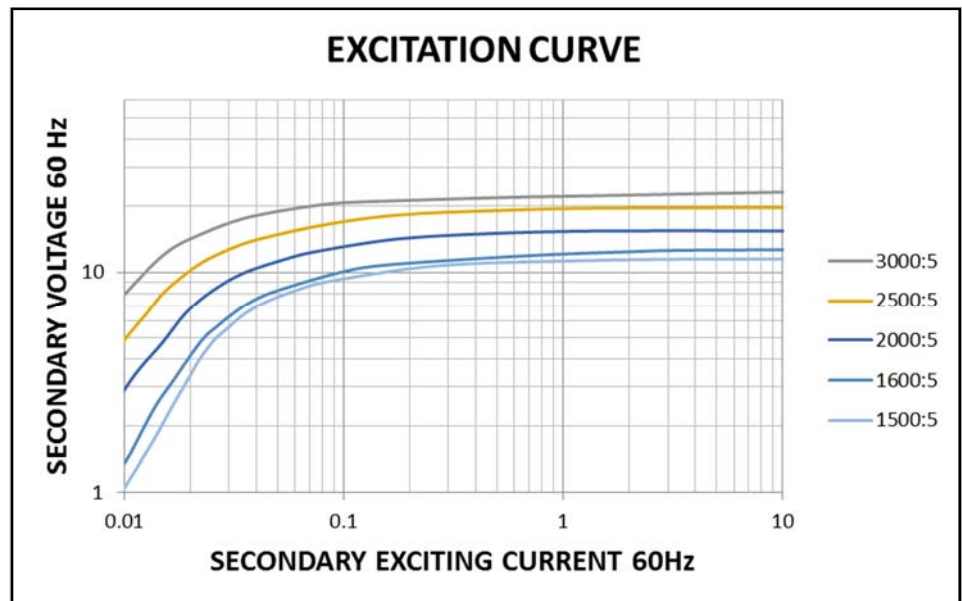
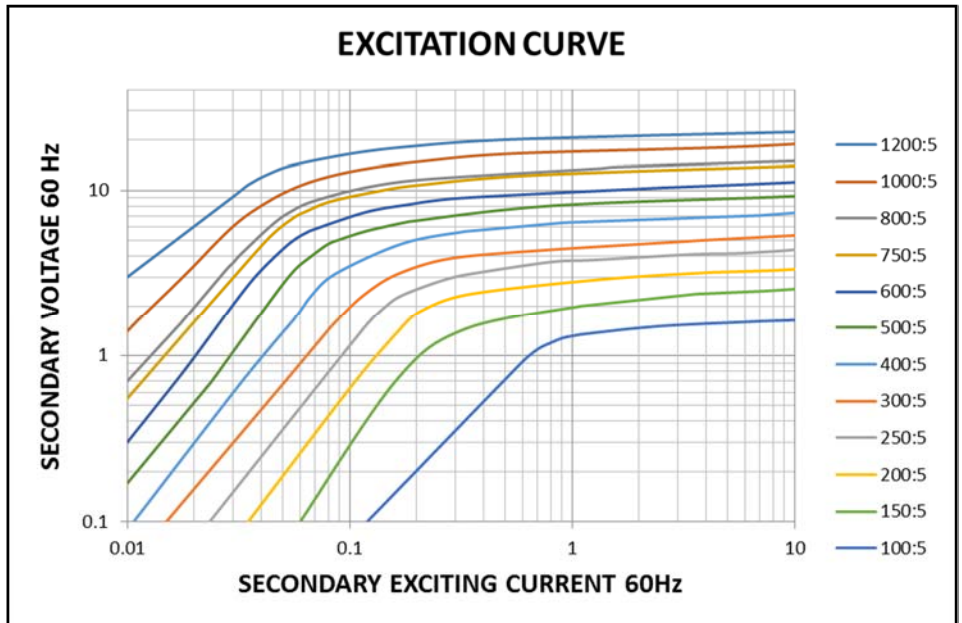
Approximate weight 3 lbs.



Model	1% Ratio	VA	B0.1	B0.2	B0.5	B0.9	B1.8	Continuous Thermal Rating Factor @ 30°C	Secondary Winding Resistance (Ohms)
6SC50050201T	50:5	1.5	16.7	-	-	-	-	2.0	0.006
6SC10150201T	100:5	3.0	1.2	7.1	-	-	-	2.0	0.012
6SC15150201T	150:5	4.0	0.5	1.9	-	-	-	2.0	0.018
6SC20150201T	200:5	5.0	0.8	0.5	4.6	-	-	2.0	0.025
6SC25150201T	250:5	8.0	0.9	0.1	2.5	-	-	2.0	0.031
6SC30150201T	300:5	10.0	0.9	0.3	1.5	3.9	-	2.0	0.037
6SC40150201T	400:5	15.0	0.8	0.4	0.5	1.9	-	2.0	0.050
6SC50150201T	500:5	20.0	0.7	0.5	0.2	1	-	2.0	0.062
6SC60150201T	600:5	25.0	0.6	0.4	0.1	0.6	1.9	2.0	0.075
6SC75150201T	750:5	40.0	0.5	0.4	0.1	0.3	1.1	1.5	0.118
6SC80150201T	800:5	45.0	0.4	0.4	0.1	0.2	0.9	1.5	0.126
6SC10250201T	1000:5	60.0	0.3	0.3	0.1	0.1	0.5	1.3	0.158
6SC12250201T	1200:5	75.0	0.3	0.3	0.2	0.1	0.3	1.3	0.190
6SC15250201T	1500:5	35.0	0.2	0.1	0.1	0.2	0.7	1.3	0.200
6SC16250201T	1600:5	40.0	0.2	0.1	0.1	0.2	0.6	1.3	0.217
6SC20250201T	2000:5	50.0	0.1	0.1	0.1	0.1	0.3	1.3	0.281
6SC25250201T	2500:5	65.0	0.1	0.1	0.1	0.1	0.2	1.3	0.361
6SC30250201T	3000:5	80.0	0.1	0.1	0.1	0.1	0.1	1.0	0.358



# Midwest Current Transformer Model 6SC



[www.midwestcurrent.com](http://www.midwestcurrent.com)

1-800-893-4047

1-507-364-7373

Fax: 1-507-364-7374

Email: [sales@aenpi.com](mailto:sales@aenpi.com)



Midwest Current Transformer

20526 330<sup>th</sup> Street • New Prague • Minnesota • 56071